

Inserta Products, Inc.

FLOW RECTIFIER MANIFOLD

The INSERTA® IFRM Flow Rectifier Manifold utilizes four INSERTA® IGT Guided Disc Check Valves that are arranged in such a way so that flow through the controlled ports always flows in the same direction, no matter the flow direction in the supply ports.

The INSERTA® IFRM Flow Rectifier Manifold could be used in conjunction with a flow control valve so that the velocity of an actuator may be controlled in both directions using one valve. Similarly, it may be used with a filter in the supply port of an actuator assuring unidirectional flow through the filter in both direction of actuator operation.

The check valve elements are all steel construction, and the manifold is made from Zinc Nickel plate ductile iron.



ORDERING INFORMATION

IFRM - A - G24 - S24 - N003

INSERTA®
FLOW RECTIFIER
MANIFOLD

DESIGN CODE

CHECK VALVE TYPE
G24 = IGT - A - 24

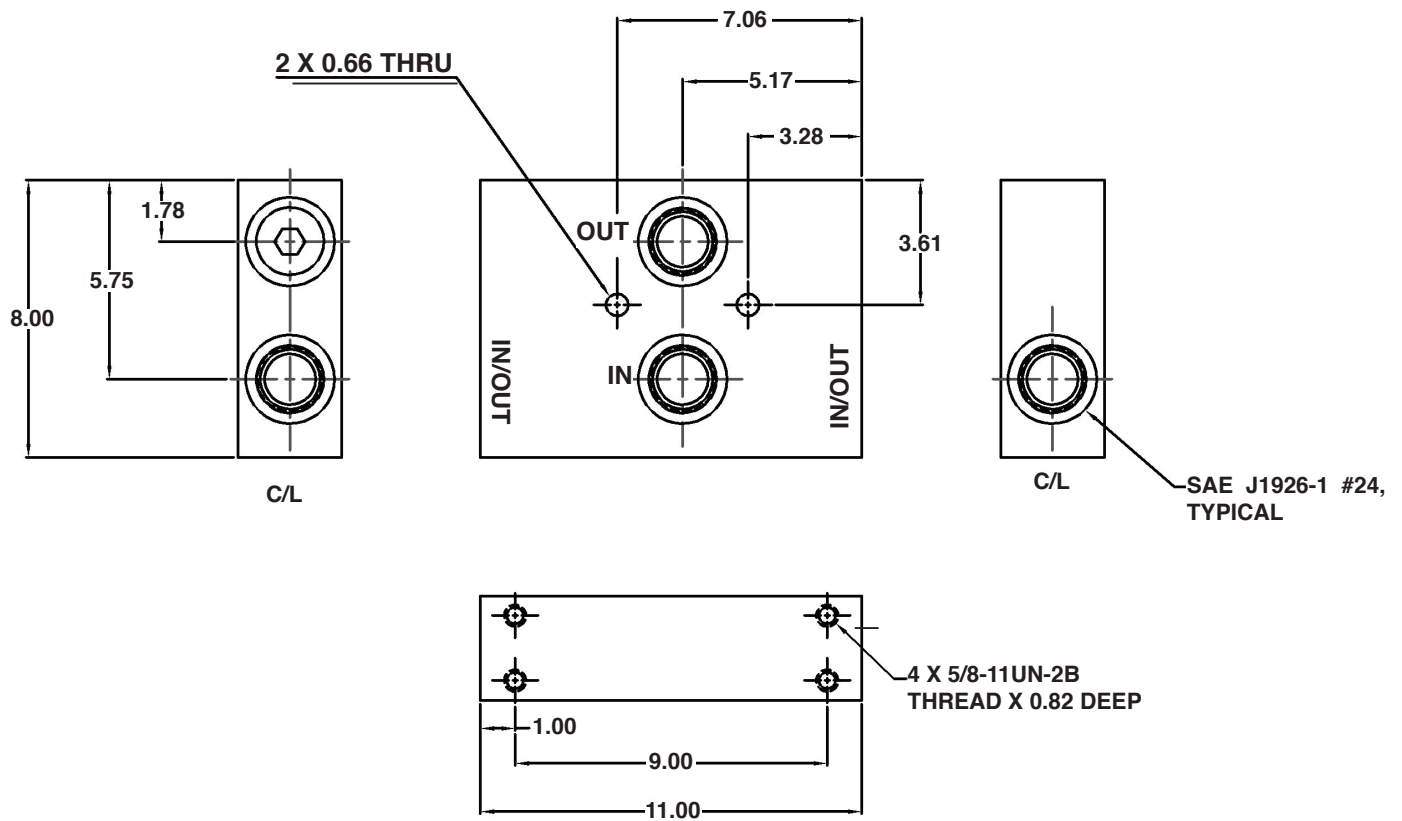
SAE J1926-1
SIZE 24 PORTS

CHECK VALVE
CRACKING PRESSURE
003 = 3 PSI
007 = 7 PSI
015 = 15 PSI

SEAL MATERIAL
N = BUNA-N (STANDARD)
V = VITON

Inserta Products, Inc.
Blue Bell, Pa. 19422

FLOW
RECTIFIER
MANIFOLD



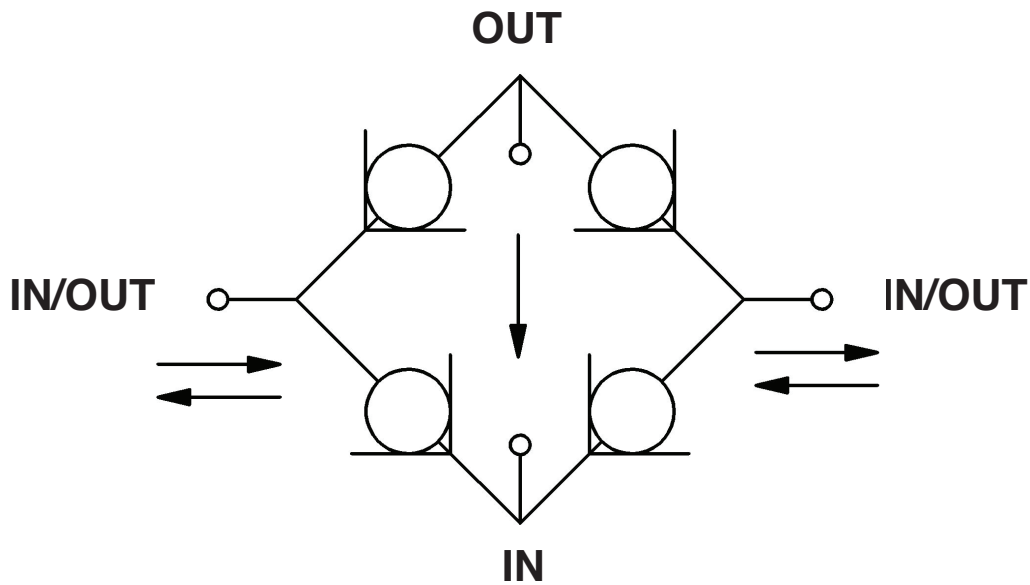
Mounting position: Optional

Maximum Operating Pressure: 4000 psi

Temperature range: -22F - 175F (-30C - 80C)

Operating Medium: Hydraulic Fluid

Viscosity Range: 50 SSU- 2000 SSU



Inserta Products, Inc.
Blue Bell, Pa. 19422

**FLOW
RECTIFIER
MANIFOLD**